



MEAT MINCER PS-12 230/50/1

Hourly output: up to 100 kg.



1050110



- ✓ Depth: 470 mm
- ✓ Height: 410 mm
- Net weight: 17.3 kg
- Noise level (1m.): <70 dB(A)
- Background noise: 32 dB(A)
- Crated dimensions
340 x 480 x 340 mm
- Gross weight: 18.9 kg

DYNAMIC PREPARATION
COMMERCIAL MEAT MINCERS

SALES DESCRIPTION

- ✓ Motor unit and cutting unit in aluminium.
- ✓ System: Enterprise.
- ✓ 1 knife and a Ø 6 mm mesh plate included.

Ideal for foodservice, communities and food retail.

- ✓ Body and hopper in stainless steel.
- ✓ Mincing head blockage that ensures a perfect cut.
- ✓ Sturdy and ventilated motor.

INCLUDES

- ✓ Enterprise system, aluminium cutting unit.
- ✓ Ø 6 mm mesh plate.

OPTIONAL

- Mesh plates of different sizes: 4.5 / 6 / 8 mm.

ACCESSORIES

- Mesh plates

SPECIFICATIONS

Production / hour (max): 100 kg
 Plate diameter: 70 mm
 Inlet mouth diameter (1) : 45 mm
 Electrical supply: 230 V / 50 Hz / 1~ (3 A)
 Plug: EU (SCHUKO 2P+G)
 Total loading: 440 W

External dimensions (W x D x H)

- ✓ Width: 227 mm



product sheet
updated 10/03/2025



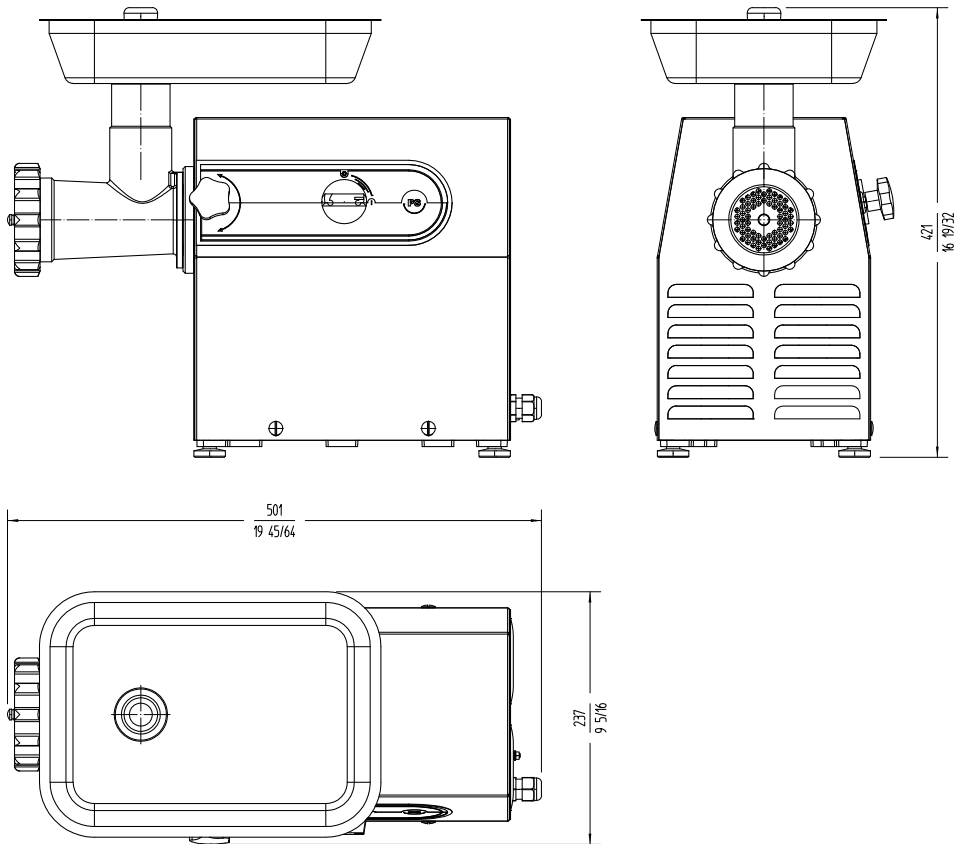
MEAT MINCER PS-12 230/50/1

Hourly output: up to 100 kg.



1050110

DYNAMIC PREPARATION
COMMERCIAL MEAT MINCERS



sammic.co.uk

Food Service Equipment Manufacturer
Unit 2, Trevanth Road
Troon Industrial Park
LE4 9LS - Leicester
uksales@sammic.com
Tel.: +44 0116 246 1900



Project	Date
---------	------

Item	Qty
------	-----

Approved	
----------	--

product sheet
updated 10/03/2025