

SPG405UK

Product Family	Dishwasher
Subfamily	Undercounter glasswasher
Basket dimensions	400x400 mm
Default power supply	230 V~ / 13 A / 2,9 kW /50 Hz (NC)
Width	440 mm
Depth	555 mm
Height	695 mm
Depth with door open	890 mm
Usable load height	300 mm



Target

Potential users	Bars/Cafes
-----------------	------------

Aesthetics

Series	Ecoline	Control Panel	Electronic
--------	---------	---------------	------------

Functions



Functions	Triple filter; HTR; Door clearance 300mm
-----------	--

Programmes

Programs

Boiler 85°C/Tank 60°C-1'30"	Boiler 85°C/Tank 60°C-2'30"	Boiler 85°C/Tank 60°C-4'
Drain and self cleaning cycle	Yes	
Maximum baskets/hour	40	

Interface

Panel	Ecoline 2016	On/off indicator	Yes
-------	--------------	------------------	-----

Number of buttons	5	Manual diagnostics	Yes
--------------------------	---	---------------------------	-----

Construction

Tank	With printed base	Door gasket	Top only
Tank construction	Single skinned	Rack guides	Embossed
Tank material	Stainless steel AISI 304	Wash tank capacity	8 l
Back panel	Galvanized	Boiler capacity	4 l
Door	Double skinned	Protection class	IPX4
Tank filter	Plastic	Net weight (kg)	40,000 kg
Wash arm	Stainless steel AISI 304	Adjustable feet	25 mm
Rinse arm	Bottom plastic and st/steel upper	Drain max. height	600 mm

Consumption and connections

Tank heating element	1300 W	Water consumption per cycle	2,3 l
Boiler heating element	2600 W	Warm water connection	Cold 15°C
Wash pump	300 W	Inlet water maximum temperature	60°C
Default connection	2900 W	Max water hardness	12°FH - 7°dH
Electrical connection options	230 V~ / 13 A / 2,9 kW / 50 Hz (NC)	Water inlet pressure	1-6 bar / 100-600 kPa

Manuals and Certifications

Certificate	CE, UKCA, KIWA
--------------------	----------------

Equipment

Peristaltic detergent pump	Yes, electronic control	Chemical dosing	gr/lt
Detergent (red) hose length	Yes, manual	Drain pump with 3 stage filter system	Yes
Peristaltic rinse aid pump	Yes, electronic control	Rinse pump with H.T.R. system	Rinse pump with atmospheric boiler
Detergent flow rate	1.5 l/h	Break tank	Yes
Rinse aid (blue) hose length	Yes, manual	Partial water exchange in the wash tank via built-in drain pump	Yes
Rinse aid flow rate	0.4 l/h	Water supply pipe diameter	16 mm
Soft Start	Yes	Drain supply pipe diameter	21.5 mm
Boiler thermostop	Yes	Automatic start	Yes
Cycle counter	Yes		

Accessories Included

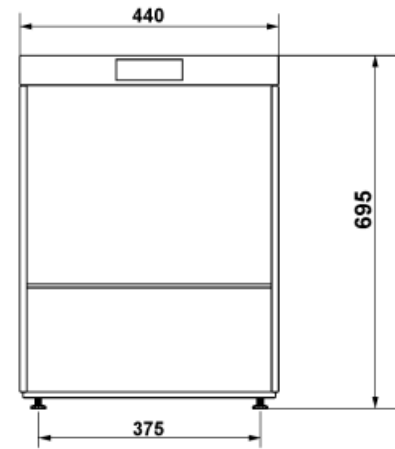
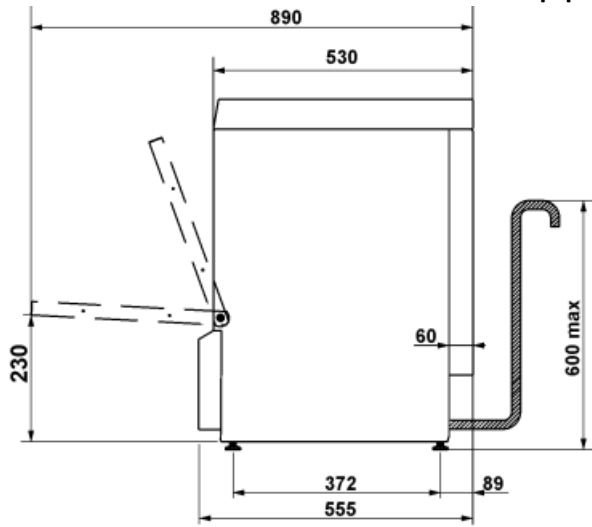
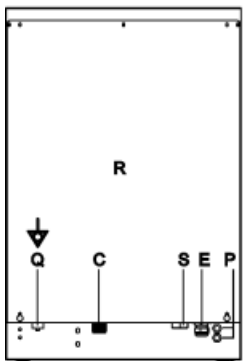
Cutlery basket	PHOOS01	Water supply pipe	Yes - 1.5m
-----------------------	---------	--------------------------	------------

Flat basket

2x PB40G01

Drain pipe

Yes - 2m



R	Pannello retro	Lower back panel
Q	Morsetto equipotenziale	Earth terminal
C	Tubo di carico	Filler hose
S	Tubo di scarico	Drain hose
P	Tubi pompe peristaltiche	Peristaltic hoses
E	Cavo alimentazione elettrica	Electricity supply cable

Not included accessories



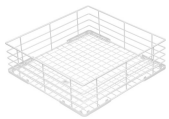
RB40G01

Universal wire basket with flat base 400



WH00S01

Wire insert for 12 small dishes



WB40G01

Universal wire basket with flat bottom
400x400



WS4

Underframe for glasswasher 400mm



WB40D01

Wire basket for 8 dishes 400x400



RB40A3

Adapter for round basket



PHOOS01

Single basket in polypropylene for
cutlery



WB40G02

Wire basket for 8 glasses, max
diameter 90mm, inclined bottom
400x400

WB40PG4

Wire basket for plastic glasses with
flat bottom, 400X400X210 mm

WB40G03

Wire basket for 8 glasses, inclined
bottom, 4-row 400x400



PHOOS02

Basket in polypropylene for cutlery
with 6 compartments

Symbols glossary



HTR rinsing system



Triple filter



MAX. LOAD HEIGHT 300mm